



ILLUSTRATIONS

EXAMPLE OF APPROVED HURDLE

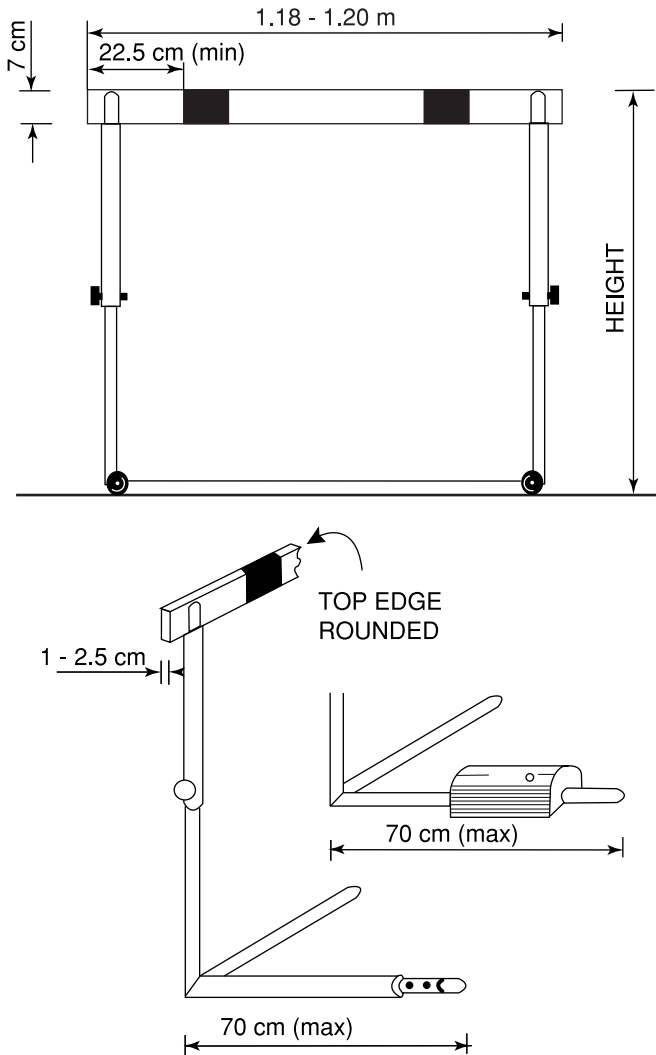


FIGURE 1

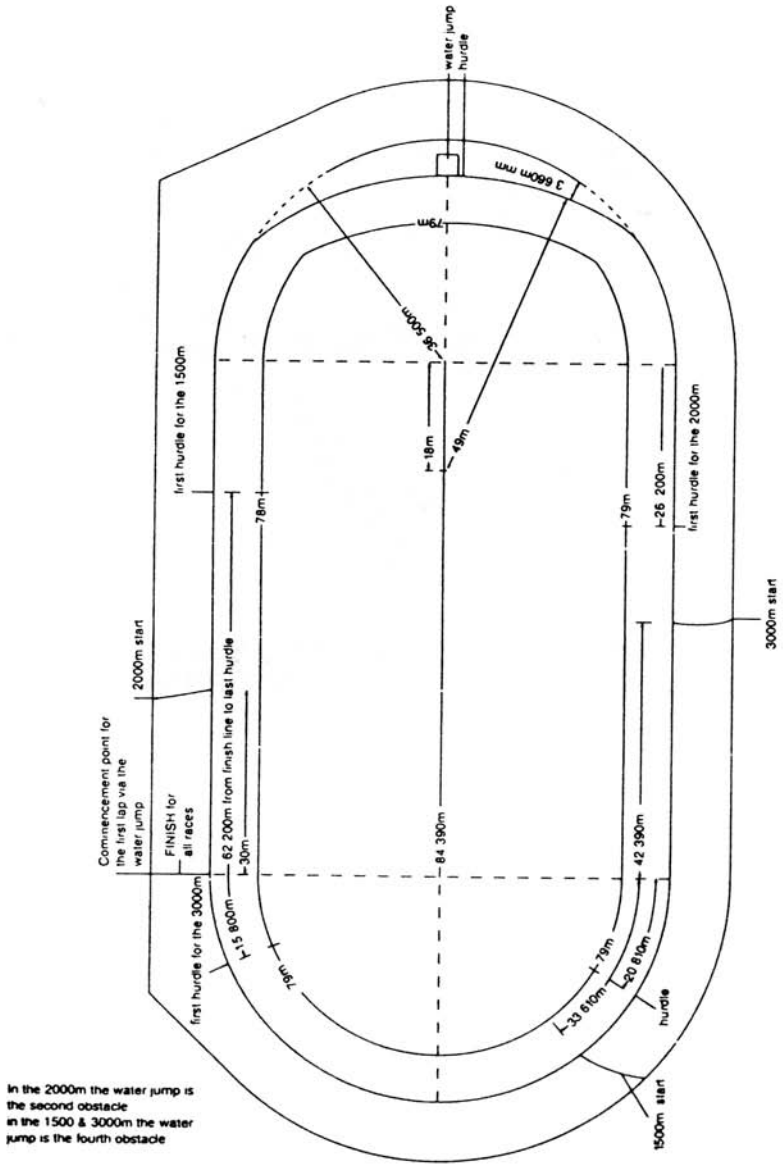
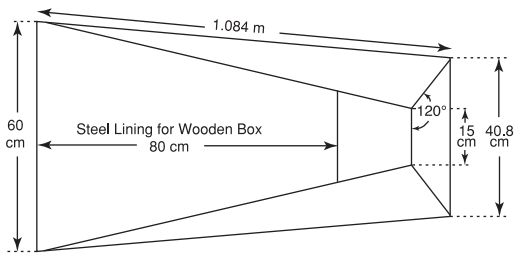


FIGURE 2

NOTE: *This diagram is an illustration of the approximate location of starting lines and barrier locations based on an inside water jump. The specific locations will change depending on the given track layout, particularly for an outside water jump.*



PLAN VIEW

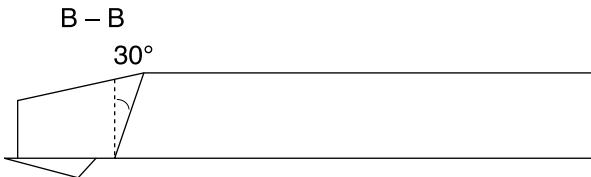
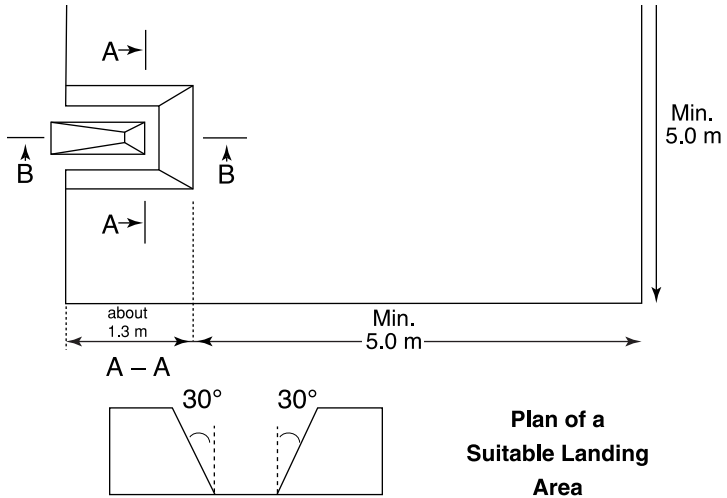
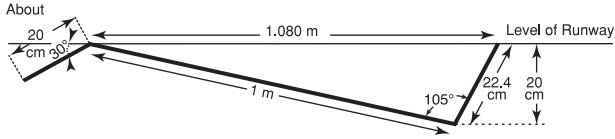


FIGURE 5 – POLE VAULT BOX AND LANDING AREA

FIGURE 6 – TAKE-OFF BOARD AND PLASTICINE BOARD

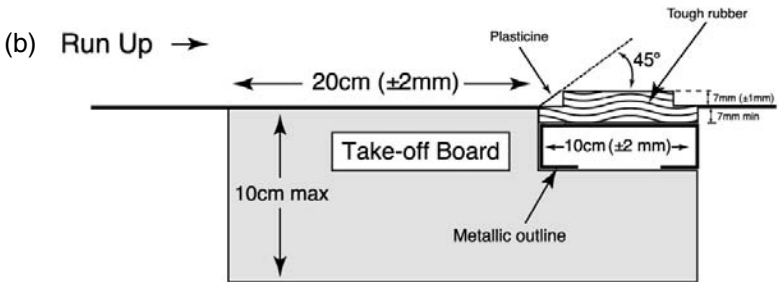
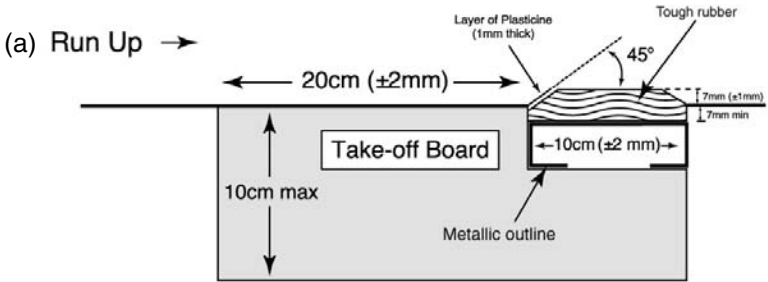


FIGURE 7 – END VIEW OF CROSSBAR

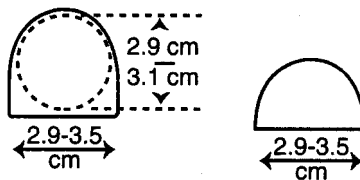


FIGURE 8 – LAYOUT OF CONCENTRIC CIRCLES FOR DISCUS AND HAMMER

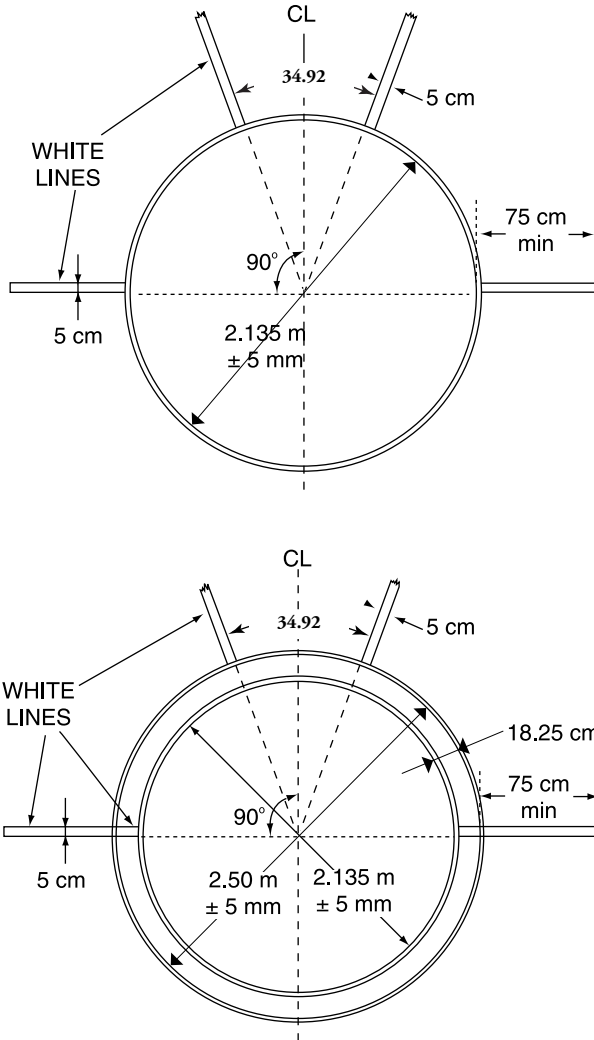


FIGURE 9 – LAYOUT OF SHOT STOPBOARD

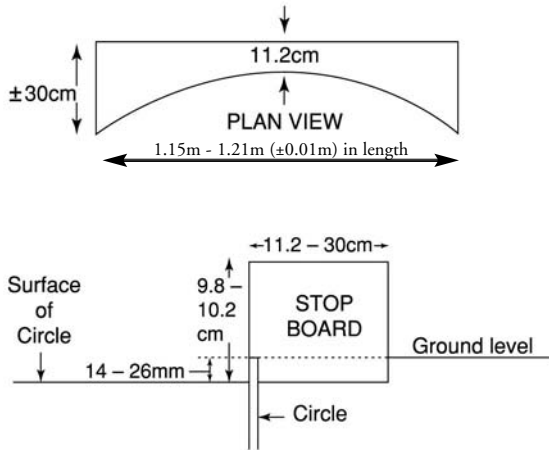


FIGURE 10 – DISCUS

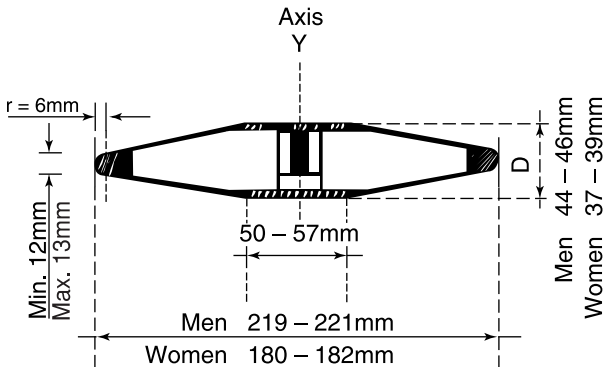
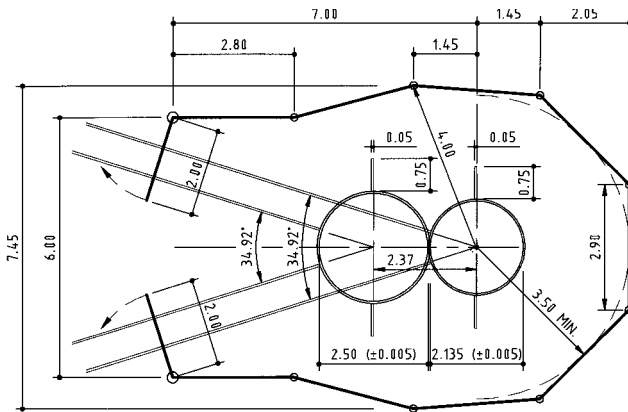
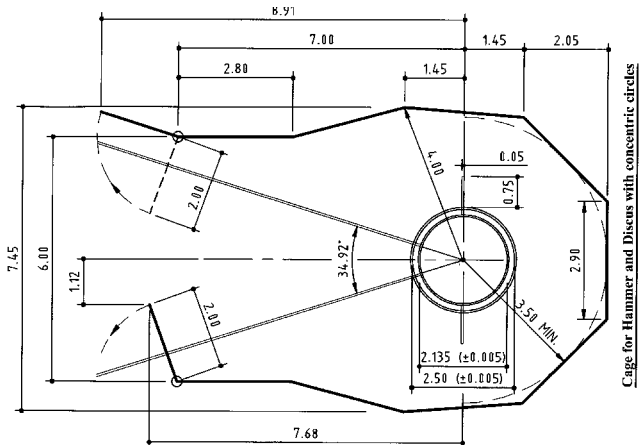


FIGURE 12 – IAAF HAMMER/DISCUS CAGE LAYOUTS



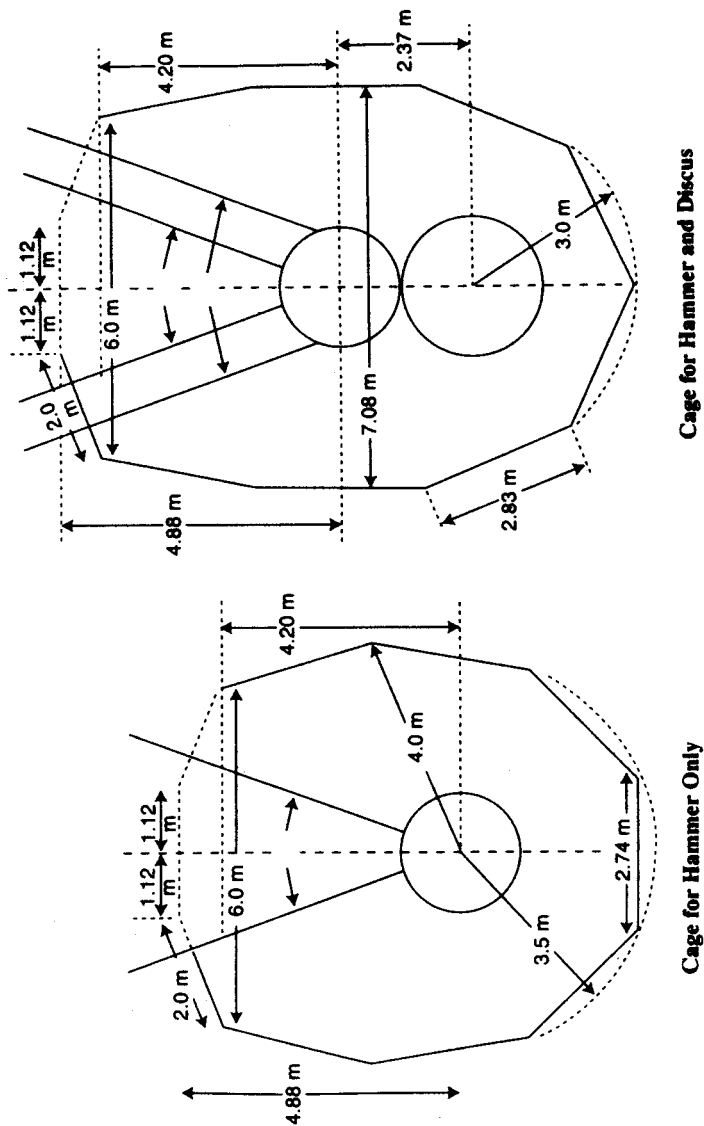


FIGURE 13 – ALTERNATE LAYOUTS USING PRE-2004 CAGES

FIGURE 14 – HAMMER HANDLE

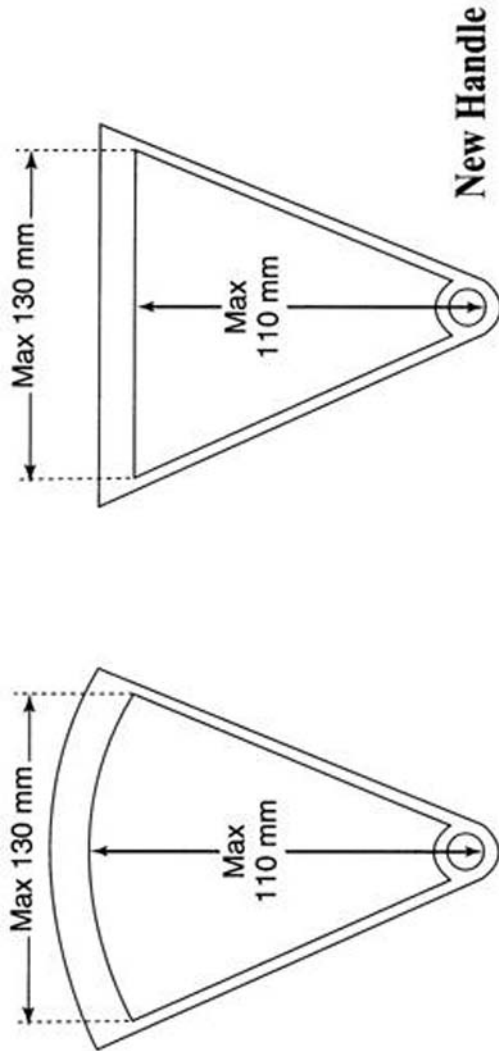


FIGURE 15 – MINI JAVELIN

